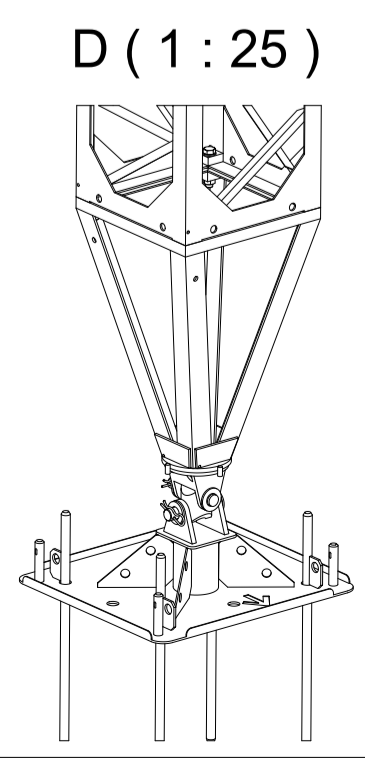
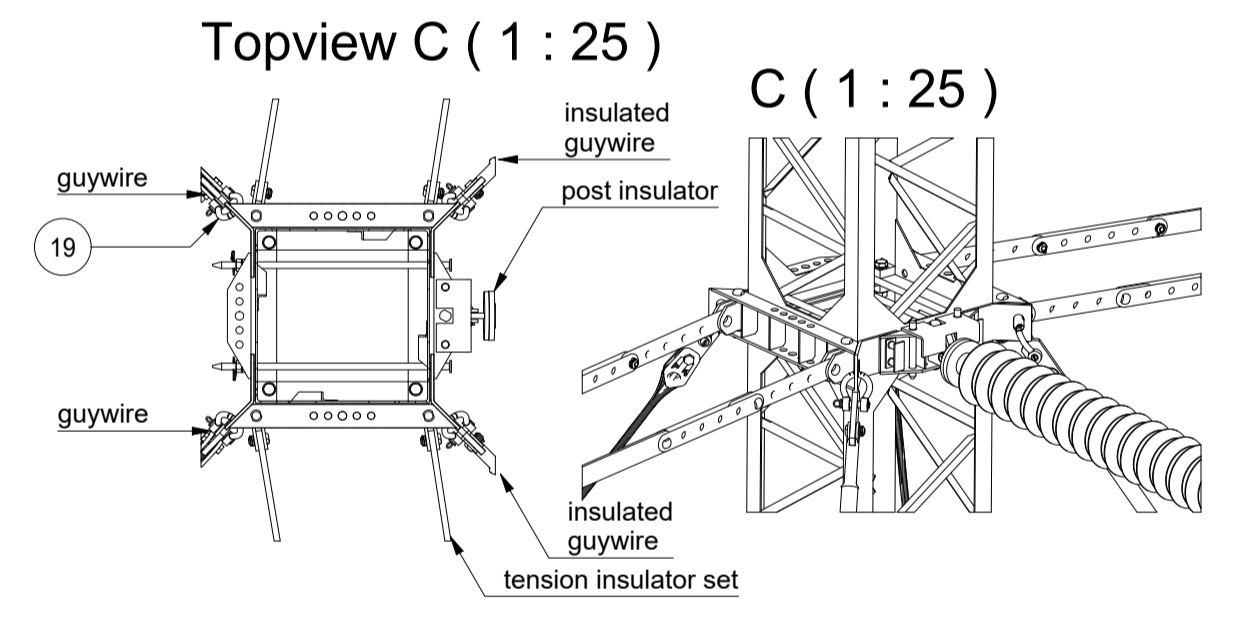
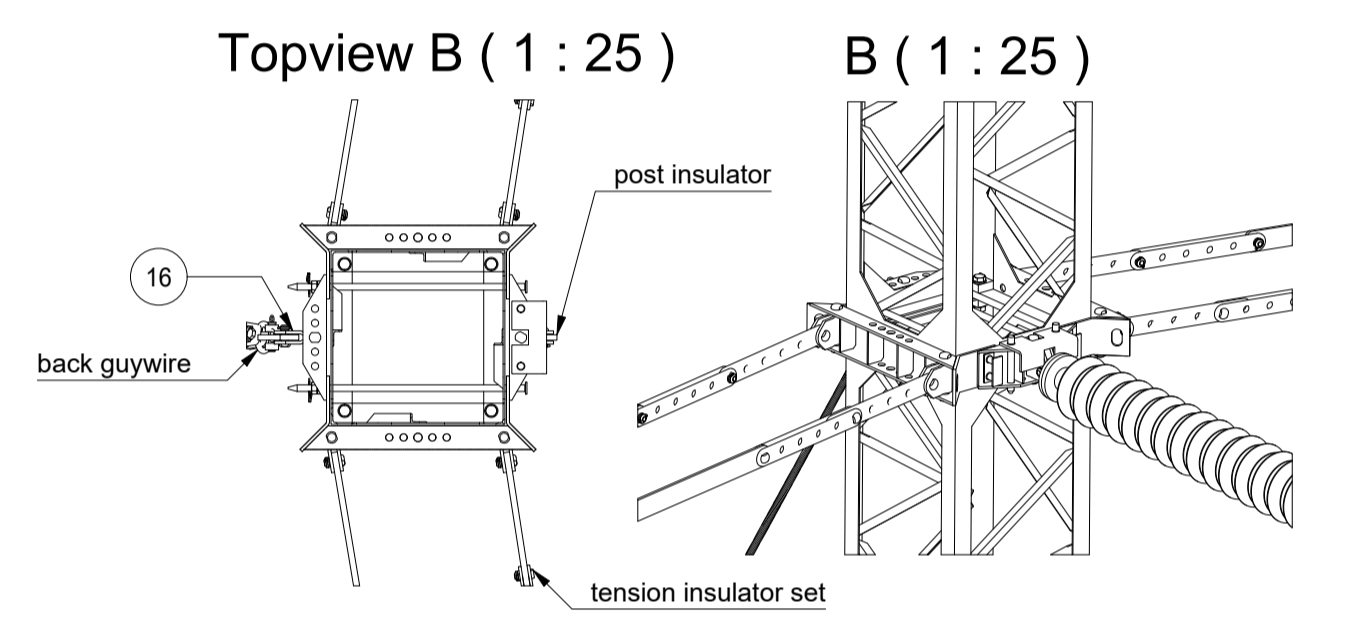
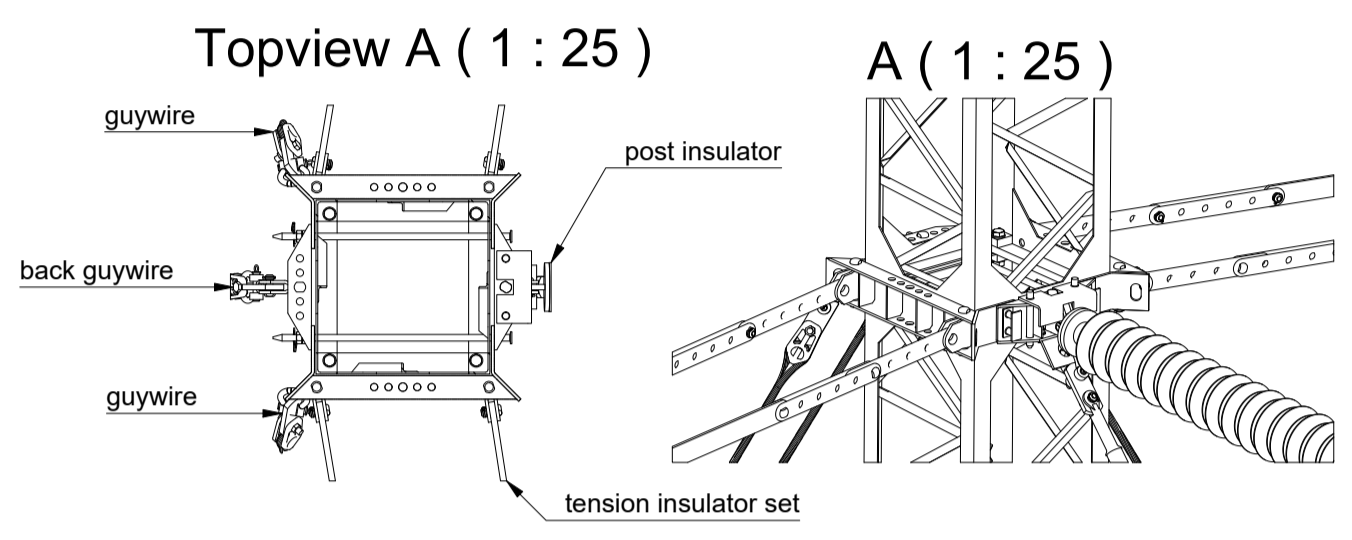


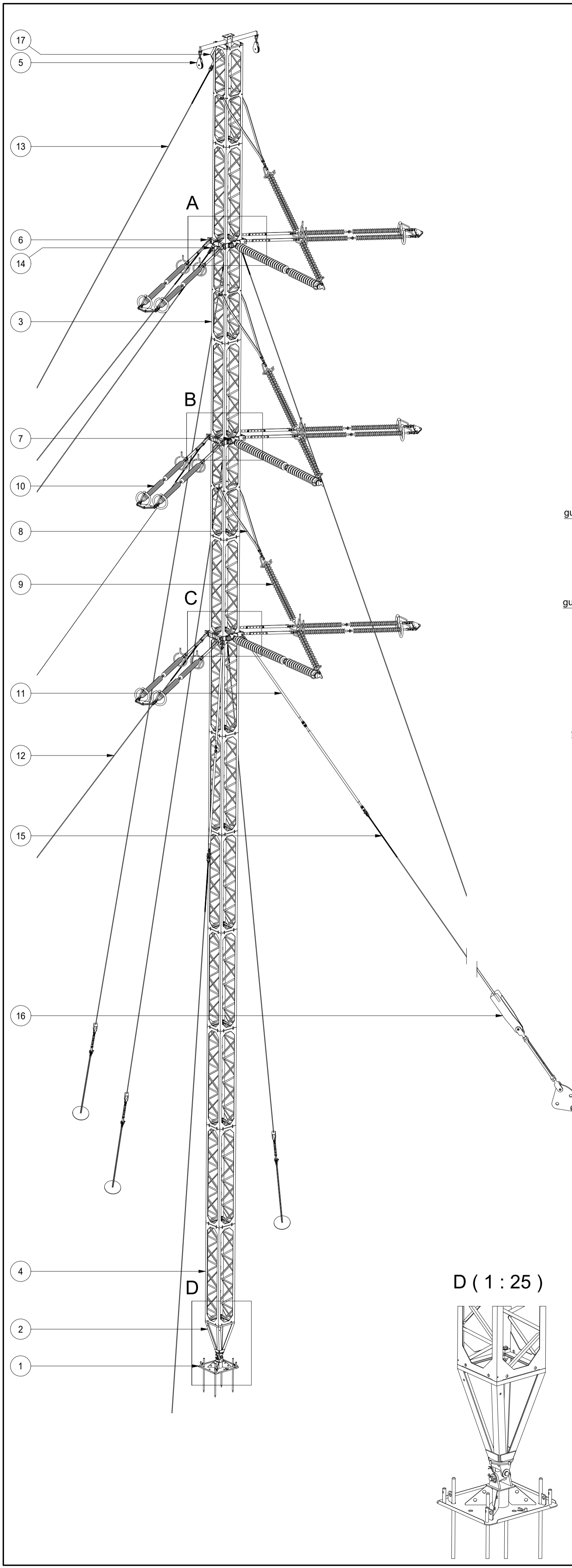
Note: top guywires (7,8 & 9) are 55m long (GY-24)



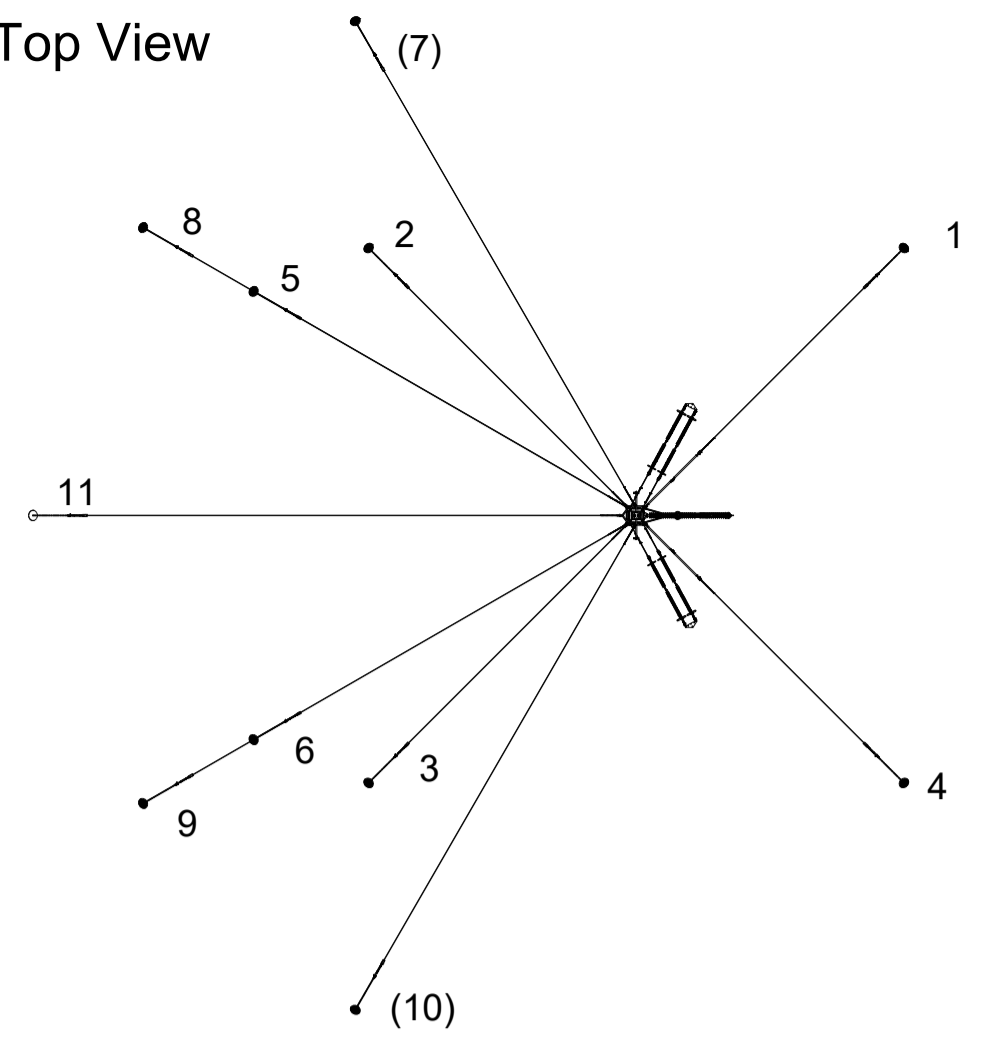
19	GY-9C	4	Guy Wire Big Grip Dead-end with shackle, complete	
18	GY-1C	9	Guy wire anchor connection, complete (excl. anchor)	
17	GY-7C	5	Guy Wire Big Grip Dead-end, complete	
16	GY-5C	2	Guy wire hinge connection, complete	
15	GY-23	6	45m Guy wire (steel)	
14	GY-24	3	55m Guy wire (steel)	
13	IS-GS2	2	Guy strain insulator double, complete	
12	IS-12C	6	Double Tension Insulator String 420kV modular	
11	IS-04C	3	V-Brace 420kV modular	
10	IS-GS4	1	Guy strain insulator quad, complete	
9	ST-44C	3	Tension insulator extension Large, complete	
8	ST-14C	1	Wind guy plate, complete	
7	ST-07	3	Lock for linepost insulators	Remove lock after raising tower
6	ST-7C	3	Attachment frames AT, complete	
5	ST-4C	1	Tower top, complete	
4	ST-2C	10	Standard section, complete	
3	ST-47	3	Standard section with middle attachment	
2	ST-1C	1	Bottom section, complete	
1	FD-2C	1	Foundation tower, complete	

Rev.	Date	Description	Revision history	
5.0	29-1-2024	indicated length of the guywires		

		Projectname: LitGrid Emergency Restoration System (ERS)
		Drawing no.: AT1 (330-400kV)
Design state: Released	Scale: 1 : 75	Description: Tower Assembly AT1 (330-400kV)
Drawn by: PUG 9-1-2023	Units: mm	5.0
Checked by: PKO 9-1-2023	Project no: 10449122	Format: A2
Approved by: EPE 9-1-2023	Company: LitGrid	

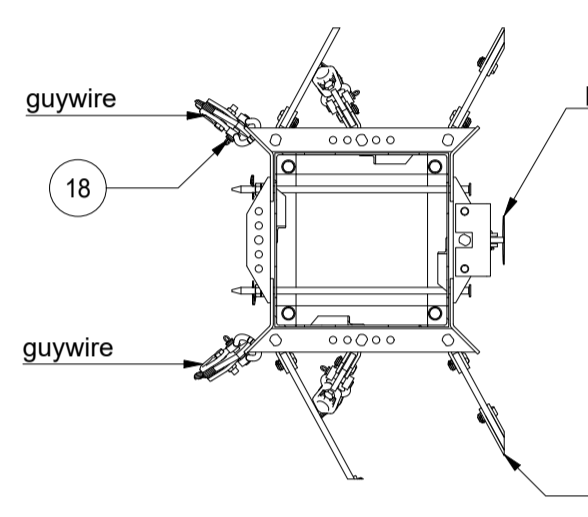


Top View

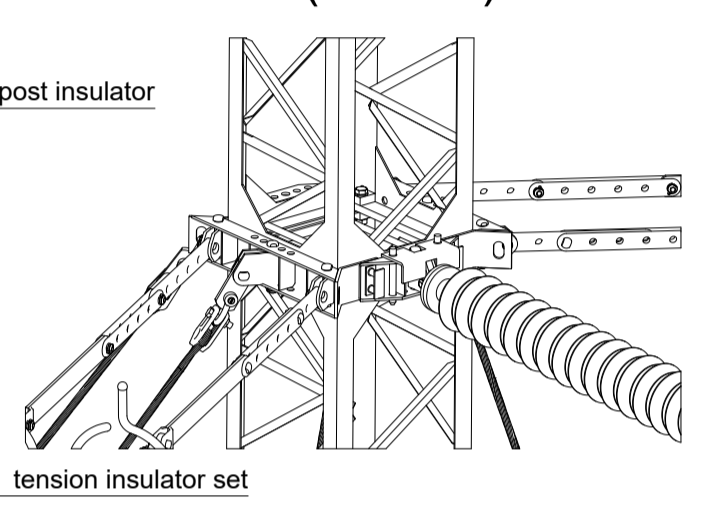


Note: top guywires (8,9 & 11) are 55m long (GY-24)

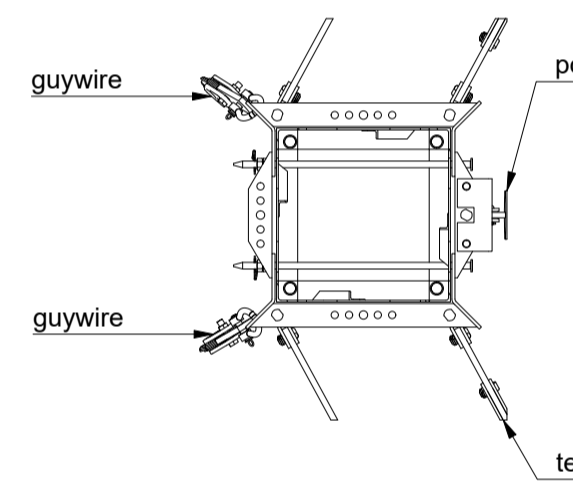
Topview A (1:25)



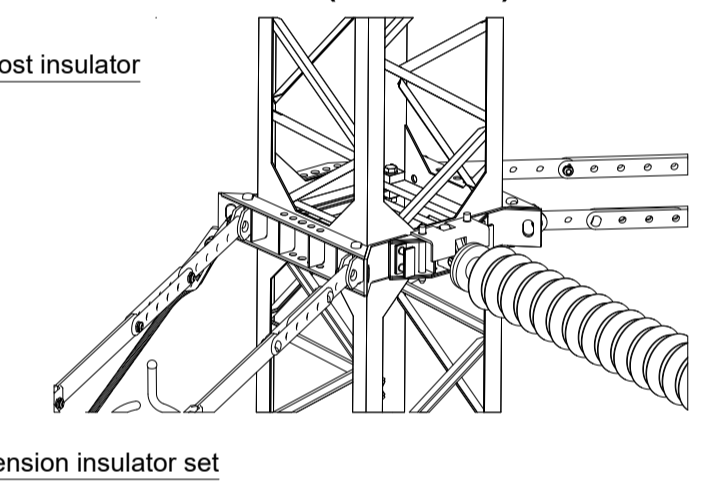
A (1 : 25)



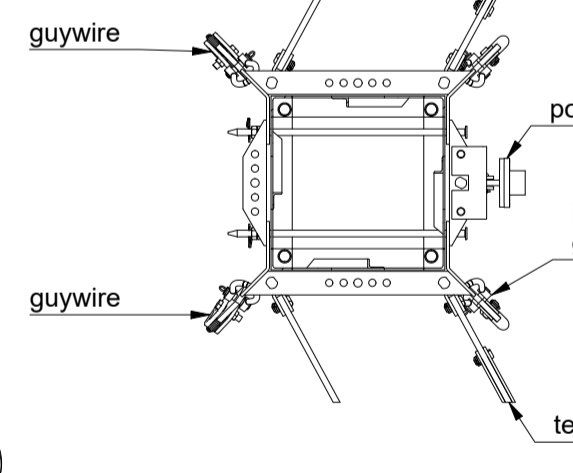
Topview B (1:25)



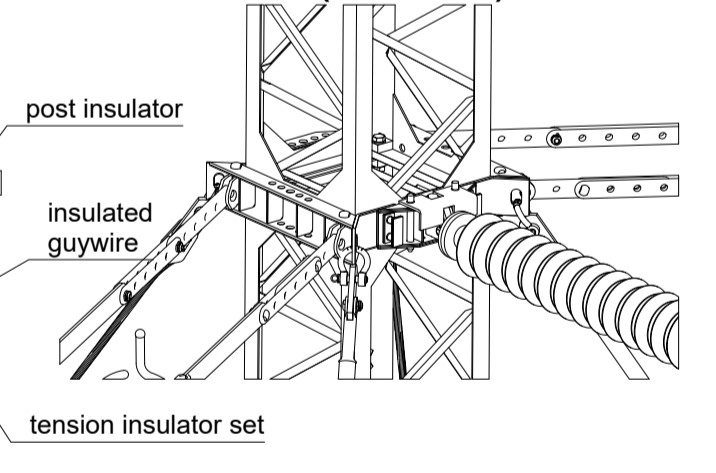
B (1 : 25)



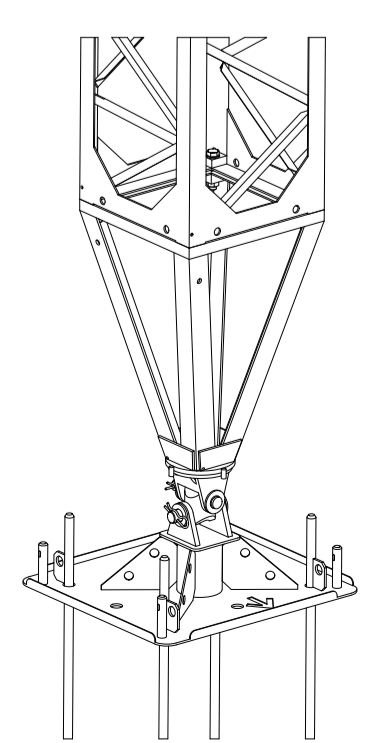
Topview C (1:25)



C (1 : 25)



D (1 : 25)

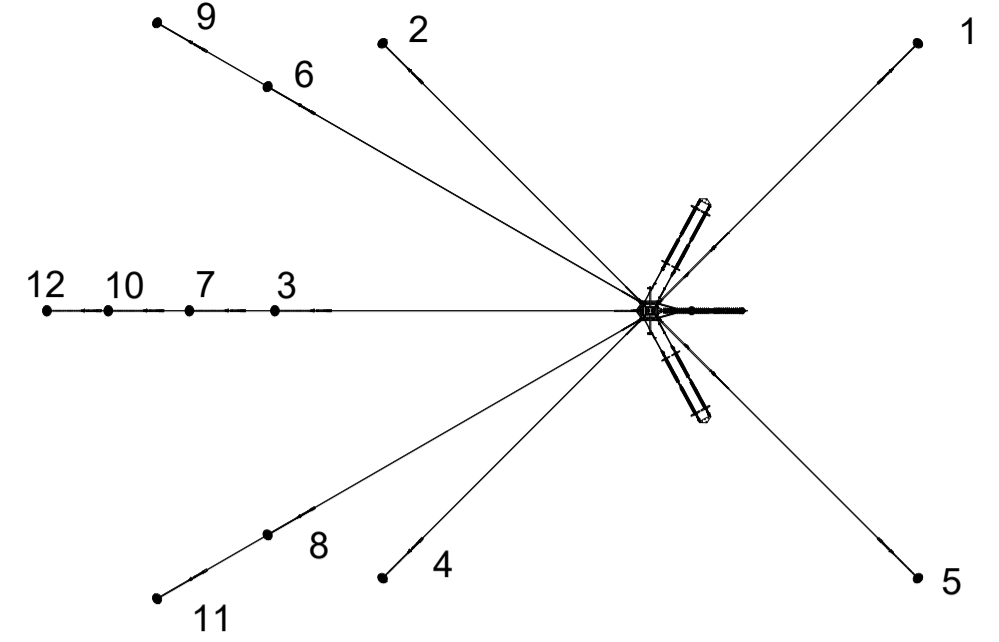


18	GY-9C	6	Guy Wire Big Grip Dead-end with shackle, complete	
17	ST-45C	1	Tension insulator extension Small, complete	
16	GY-1C	11	Guy wire anchor connection, complete (excl. anchor)	
15	GY-7C	5	Guy Wire Big Grip Dead-end, complete	
14	GY-5C	2	Guy wire hinge connection, complete	
13	GY-24	3	55m Guy wire (steel)	
12	GY-23	8	45m Guy wire (steel)	
11	IS-GS2	2	Guy strain insulator double, complete	
10	IS-12C	6	Double Tension Insulator String 420kV modular	
9	IS-04C	3	V-Brace 420kV modular	
8	ST-44C	3	Tension insulator extension Large, complete	
7	ST-07	3	Lock for linepost insulators	Remove lock after raising tower
6	ST-7C	3	Attachment frames AT, complete	
5	ST-4C	1	Tower top, complete	
4	ST-2C	10	Standard section, complete	
3	ST-47	3	Standard section with middle attachment	
2	ST-1C	1	Bottom section, complete	
1	FD-2C	1	Foundation tower, complete	
Item	Drawingnr	Qty	Description	remark

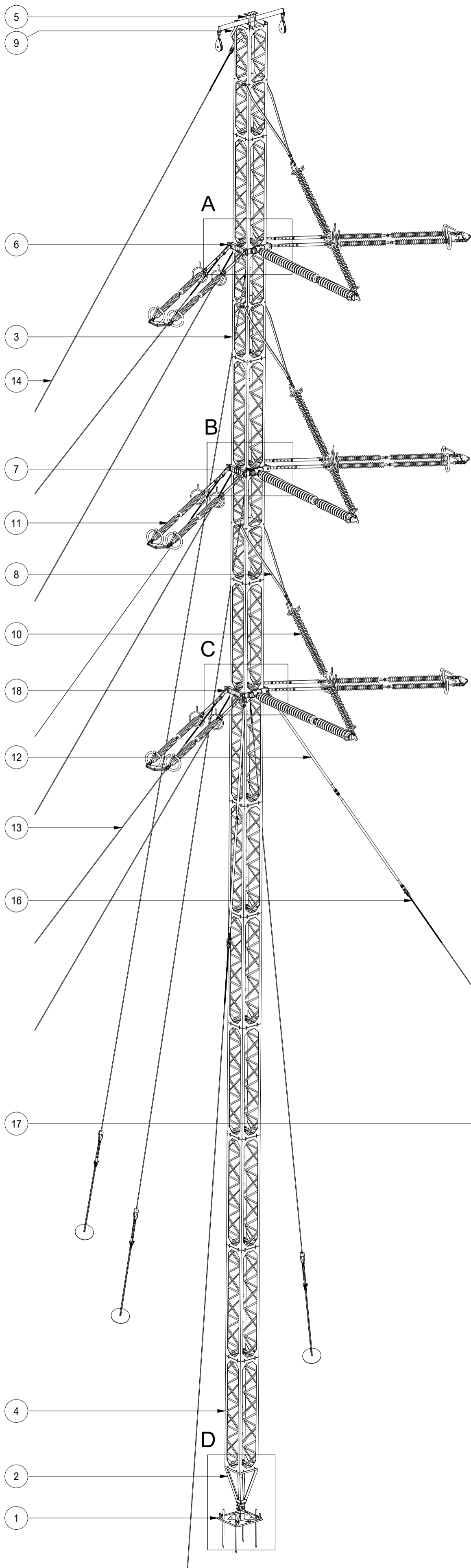
Revision history		
Rev.	Date	Description
5.0	29-1-2024	indicated length of the guywires

		Projectname: LitGrid Emergency Restoration System (ERS)
		Drawing no.: AT2 (330-400kV)
Design state: Released	Scale: 1 : 75	Description: Tower Assembly AT2 (330-400kV)
Drawn by: PUG 9-1-2023	Units: mm	
Checked by: PKO 9-1-2023	Project no: 10449122	
Approved by: EPE 9-1-2023	Company: LitGrid	Revision: 5.0
		Format: A2

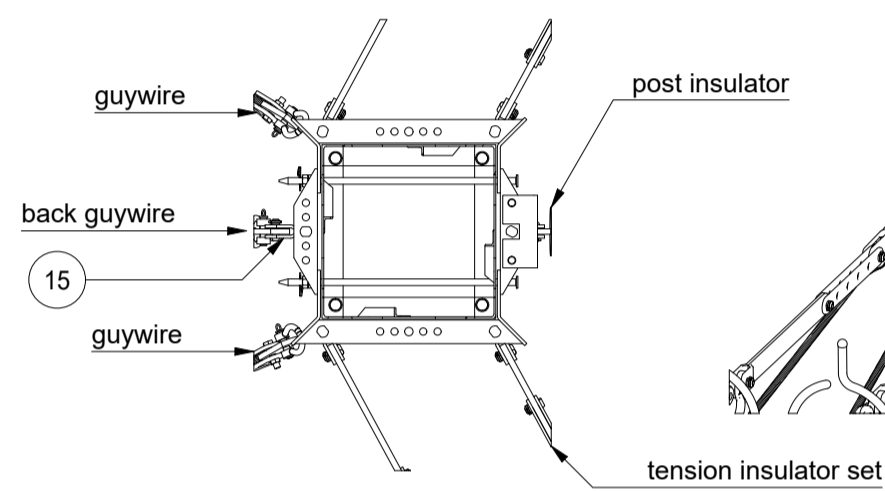
Top View



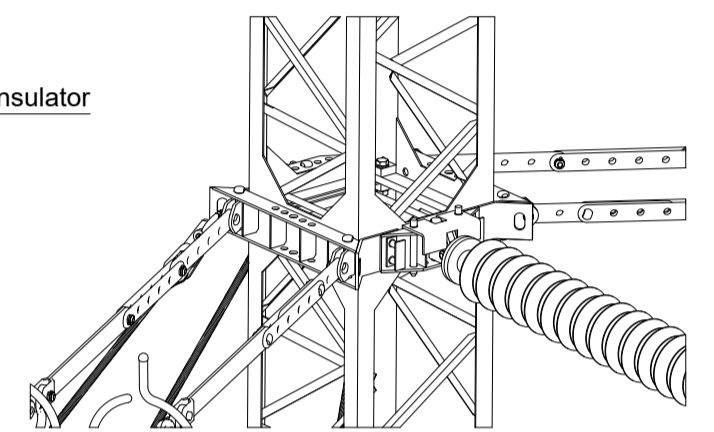
Note: top guywires (9,10,11 & 12) are 55m long (GY-24)



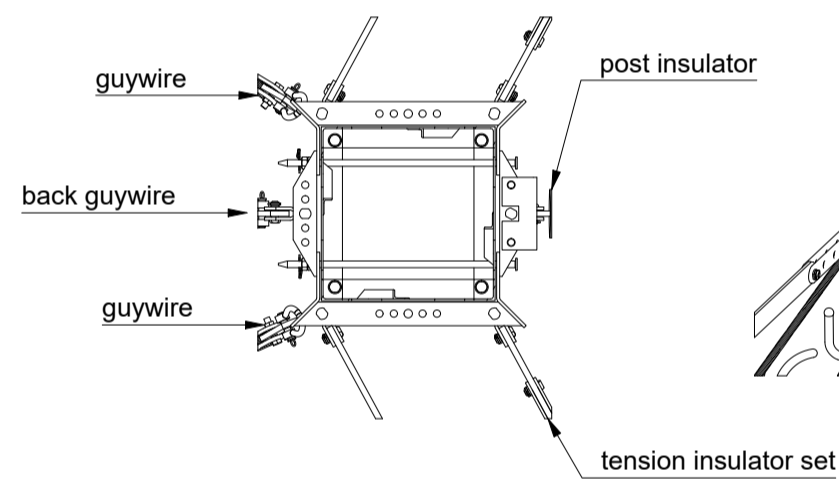
Topview A (1:25)



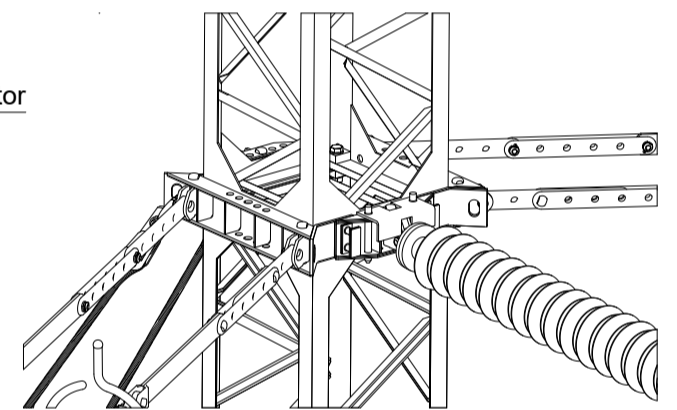
A (1 : 25)



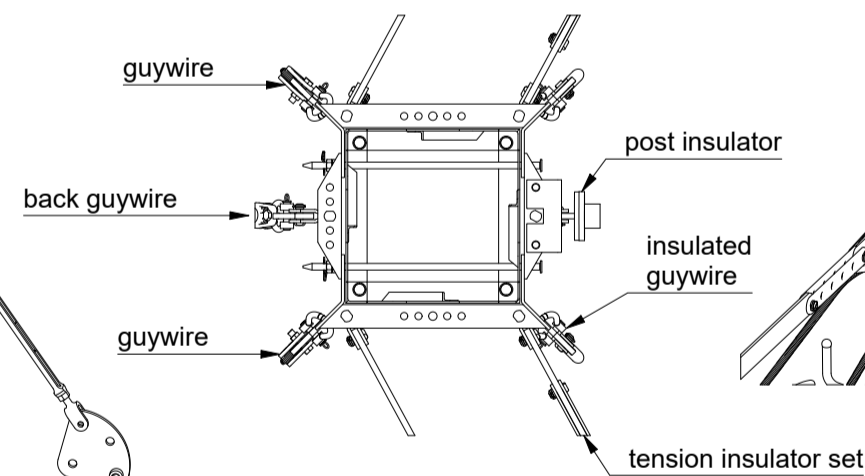
Topview B (1:25)



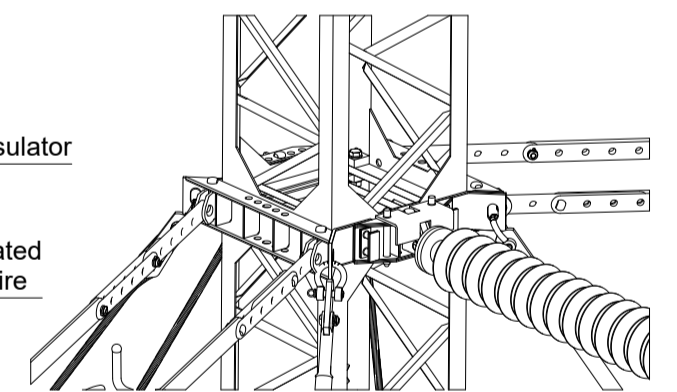
B (1 : 25)



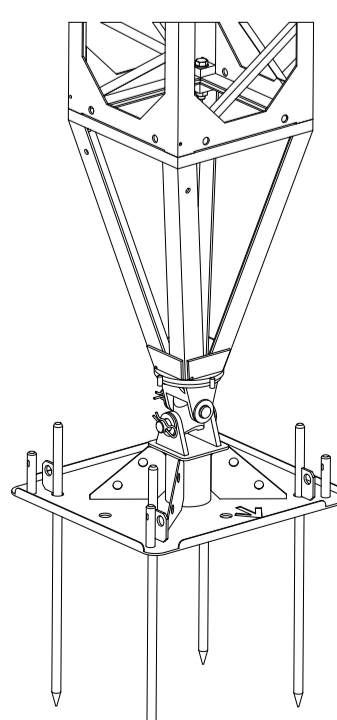
Topview C (1:25)



C (1 : 25)



D (1 : 25)



18	GY-9C	6	Guy Wire Big Grip Dead-end with shackle, complete	
17	GY-1C	12	Guy wire anchor connection, complete (excl. anchor)	
16	GY-7C	6	Guy Wire Big Grip Dead-end, complete	
15	GY-5C	3	Guy wire hinge connection, complete	
14	GY-24	4	55m Guy wire (steel)	
13	GY-23	8	45m Guy wire (steel)	
12	IS-GS2	2	Guy strain insulator double, complete	
11	IS-12C	6	Double Tension Insulator String 420kV modular	
10	IS-04C	3	V-Brace 420kV modular	
9	ST-45C	1	Tension insulator extension Small, complete	
8	ST-44C	3	Tension insulator extension Large, complete	
7	ST-07	3	Lock for linepost insulators	Remove lock after raising tower
6	ST-7C	3	Attachment frames AT, complete	
5	ST-4C	1	Tower top, complete	
4	ST-2C	10	Standard section, complete	
3	ST-47	3	Standard section with middle attachment	
2	ST-1C	1	Bottom section, complete	
1	FD-2C	1	Foundation tower, complete	

Item	Drawingnr	Qty	Description	remark
------	-----------	-----	-------------	--------

Rev.	Date	Description
------	------	-------------

5.0	29-1-2024	indicated length of the guywires
-----	-----------	----------------------------------

		Projectname: LitGrid Emergency Restoration System (ERS)
		Drawing no.: AT3 (330-400kV)

Design state: Released	Scale: 1 : 75	Description: Tower Assembly AT3 (330-400kV)	Revision: 5.0
Drawn by: PUG 26-9-2023	Units: mm		Format: A2
Checked by: PKO 26-9-2023	Project no: 10449122		
Approved by: EPE 26-9-2023	Company: LitGrid		